



# Request for Qualifications

## Renton Downtown Public Art Opportunity



### Introduction

The South Renton Neighborhood Association\*, in collaboration with the Renton Municipal Arts Commission, is seeking artists to participate in an exciting new public art campaign. Interested artists will be permitted to “adopt” fire hydrants within the South Renton neighborhood and create artistic designs for them. The goal of this program is to embrace the artistic talents of local individuals while displaying creative artwork throughout the community. There is no specific theme for this program, though artists are encouraged to incorporate the character and history of the surrounding environment and neighborhood into their artwork.

The program is free and open to the public. Applications will be reviewed as they are received until designs have been selected for all available hydrants. The initial project will include 20 painted fire hydrants in the South Renton neighborhood. Selected artists will receive \$300 per hydrant to cover the cost of materials, supplies and design fees. Applicants are welcome to submit more than one hydrant design for consideration.

### Application Process

- The opportunity is open to all artists, with preference given to local Renton artists.
- Artists are requested to submit a concept design of a hydrant and examples from their portfolio.
- Please fill out the application/design proposal on the following page.
- Submit the required forms to the City of Renton at [arts@rentonwa.gov](mailto:arts@rentonwa.gov).
- The selected artists will be notified by a member of the project team on a rolling basis.

### What is prohibited on the hydrants?

- Inappropriate words, advertisements, political messages, etc.
- Glued or attached objects.
- Camouflage or designs that significantly reduce hydrant visibility.
- Please avoid using dark colors or a lot of white as they reduce hydrant visibility.

### Project Timeline

The project team will review applications and selections as applicants are received.

### Inquiries

All inquiries and submissions related to this request are to be directed to:

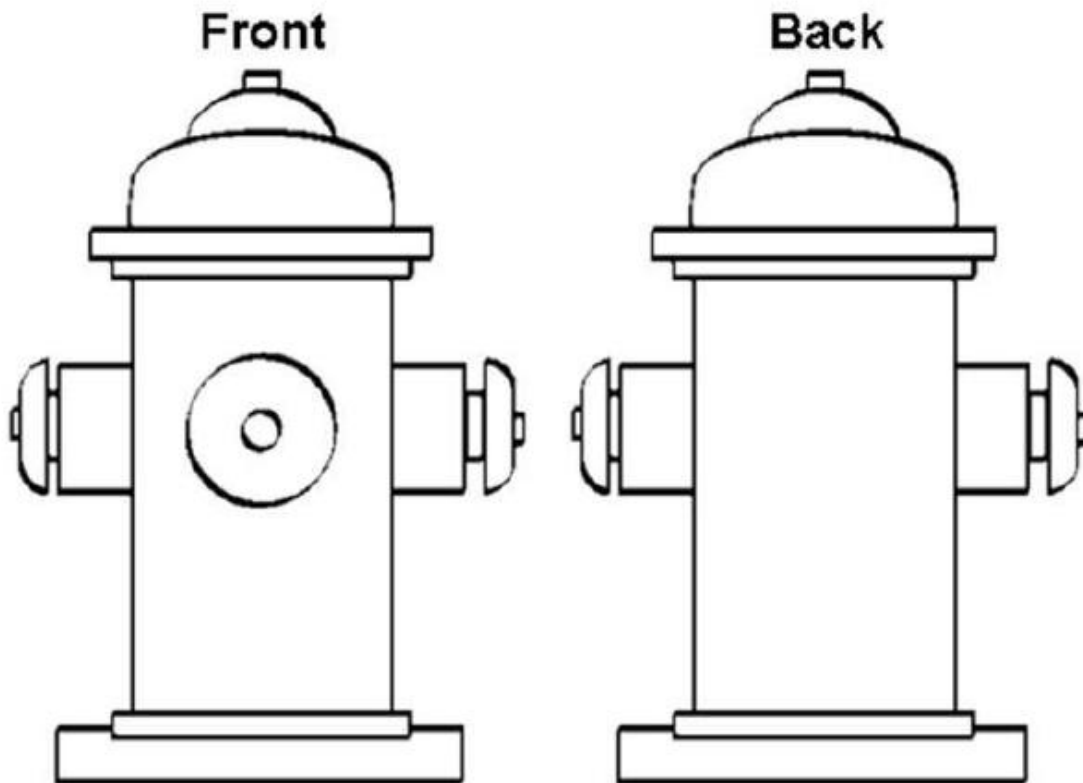
Renton Municipal Arts Commission  
1055 S Grady Way, 6<sup>th</sup> Floor, Renton WA 98057  
Telephone: (425) 425-7271  
Email: [arts@rentonwa.gov](mailto:arts@rentonwa.gov)

*\*The South Renton Connection Neighborhood Association is committed to the establishment of public art designed to acknowledge and celebrate the unique cultural and historical contributions that the South Renton Community has made and will continue to make to Renton. From early origins of Renton, the South Renton Community has been intricately related to downtown Renton. It is our hope that this project will continue this longstanding relationship by helping to contribute to the revitalization of our downtown.*

# Application/Design Proposal

Name	
Phone	
E-mail	
Mailing address	
Please describe your artistic abilities and experiences (and include a sample of your portfolio)	

Use the fire hydrant below to illustrate your proposed artistic design:



Title of your artwork (optional)	
----------------------------------	--

Applicants must submit this page via mail or in-person to the address below or email a scanned copy in color to [arts@rentonwa.gov](mailto:arts@rentonwa.gov):

Renton Municipal Arts Commission  
1055 S Grady Way, 6<sup>th</sup> Fl  
Renton, WA 98057